



PACIFIC SPRING & AXLE

Torsion Axle Order Form

Your Company & Phone Number:

Your name: _____

Ship Via: _____

Sign here for approval of order:

Stud Size for 7k only (Please check one)

9/16 1/2 5/8

Choose a Hub

Bolt Centers

4" 4-1/2" 4-3/4" 5" 5-1/2" 6-1/2" 9.44"

Number of Studs	4						
	5						
	6						
	8						

Required Information

Axle Style: Half Axles Full Axle (choose one)

A – Main Rail: Outside to Outside: _____

B – Hub Face to Hub Face: _____

C – Mounting Bolt Center: _____

D – Torsion Arm to Hub Face: _____

E – Torsion Arm (Axle center to spindle center): _____

Axle Quantity: _____

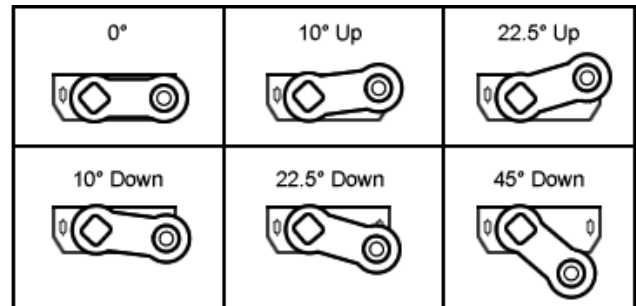
Axle Capacity: _____

Axle Type: Brakes Idler Bare (choose one)

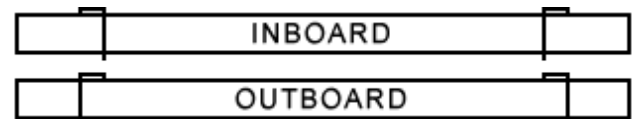
Electric Hydraulic (choose one)

Mount Format: Side Mount Top Mount (choose one)
(See diagram below)

Quantity Required: _____

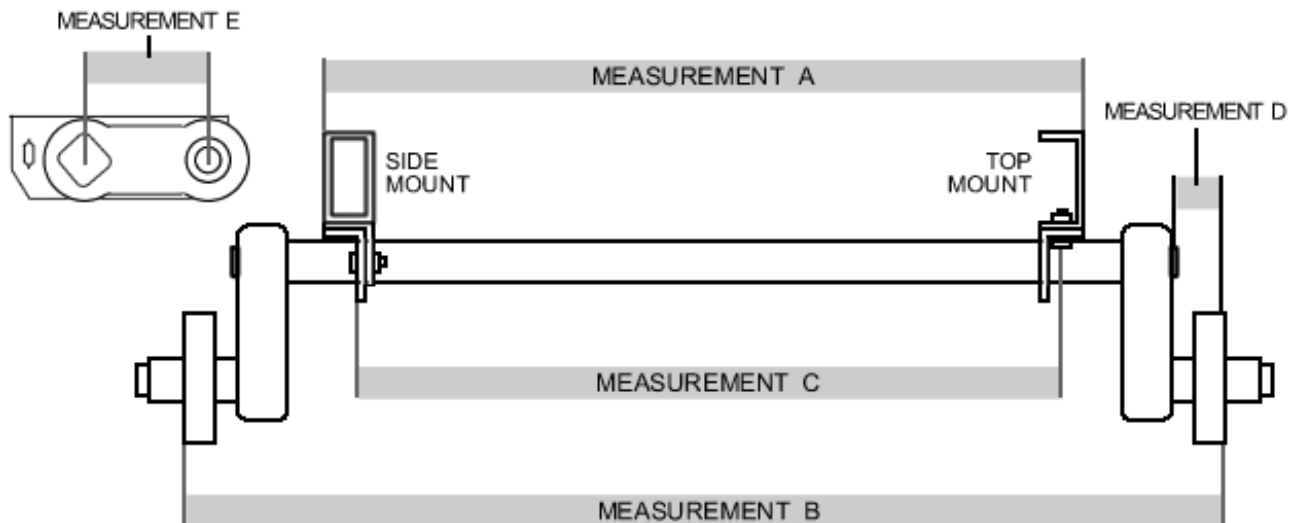


Axle Degrees _____ : Up Down (choose one)



Mounting Bracket Directions:

Inboard Outboard (choose one)



Special Notes:

- The Max. and Min. length between the hub face and outside mounting brackets is: Max. = 19.9", Min. = 9.5"
- Minimums are based on mfg. tolerances only. Some tire and wheel combinations may create interference
- Due to manufacturing differences, some adjustment may be required in mounting

Fill this form out and fax it to us at 604.530.7698